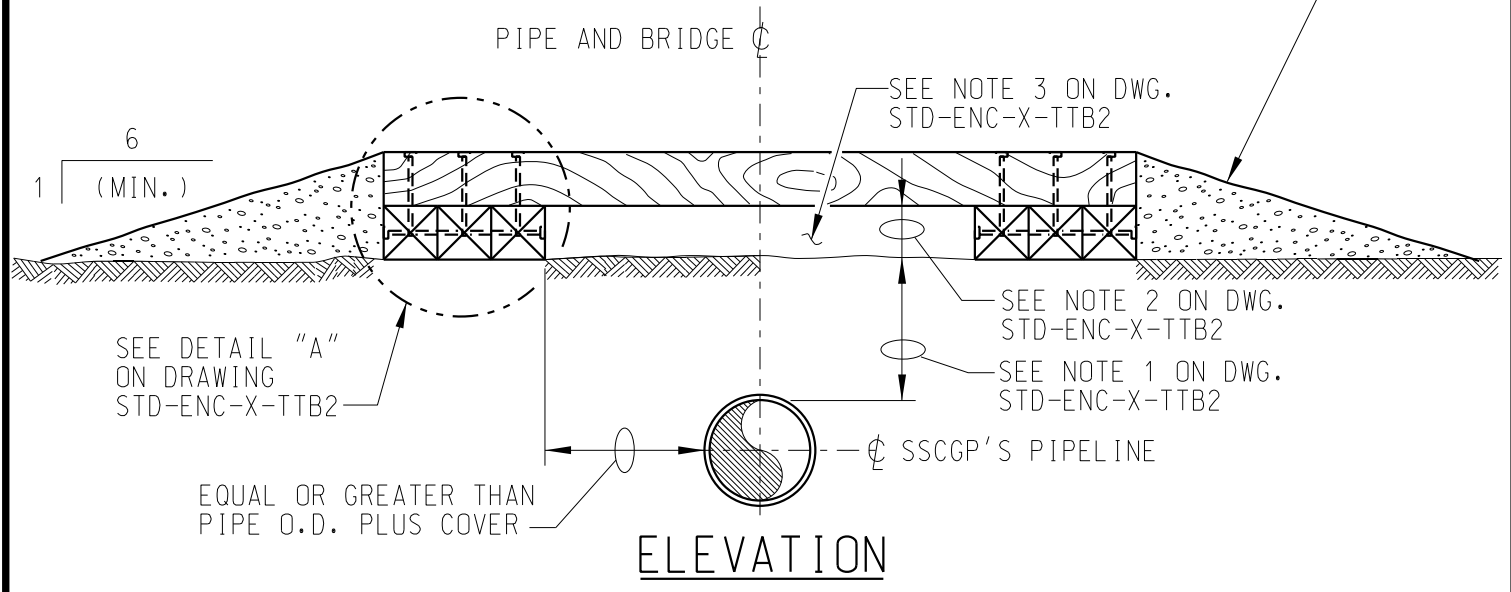


PLAN VIEW

ASTM C-33, SIZE NO. 2 OR 3. 1" TO 2 1/2"
 COARSE AGGREGATE OVER FILTER FABRIC
 (EXXON GTF-200 OR COMPANY APPROVED EQUAL)
 BOTH SIDES OF BRIDGE.



ELEVATION



STANDARD ENCROACHMENT DETAILS
 FOR TEMPORARY TIMBER BRIDGE TO
 CROSS SSCGP'S PIPELINE

REV.	DATE	BY	DESCRIPTION	APP	SCALE: 1" = 1'-0"		
DRAWN BY: GLS	DATE: 05-05-2004	0	05-05-2004	GLS	ORIGINAL ISSUE	RDH	P.I.N.
CHECKED BY:	DATE:	1	11-05-2007	JAK	REPLACED STD. DWG. 005-002-A-0211	RDH	DWG. NO.
APPROVED BY: RDH	DATE: 05-28-2004	2	09-24-2013	FGI	REVISED DIMENSION TO ABUTMENT	DME	STD-ENC-X-TTB1